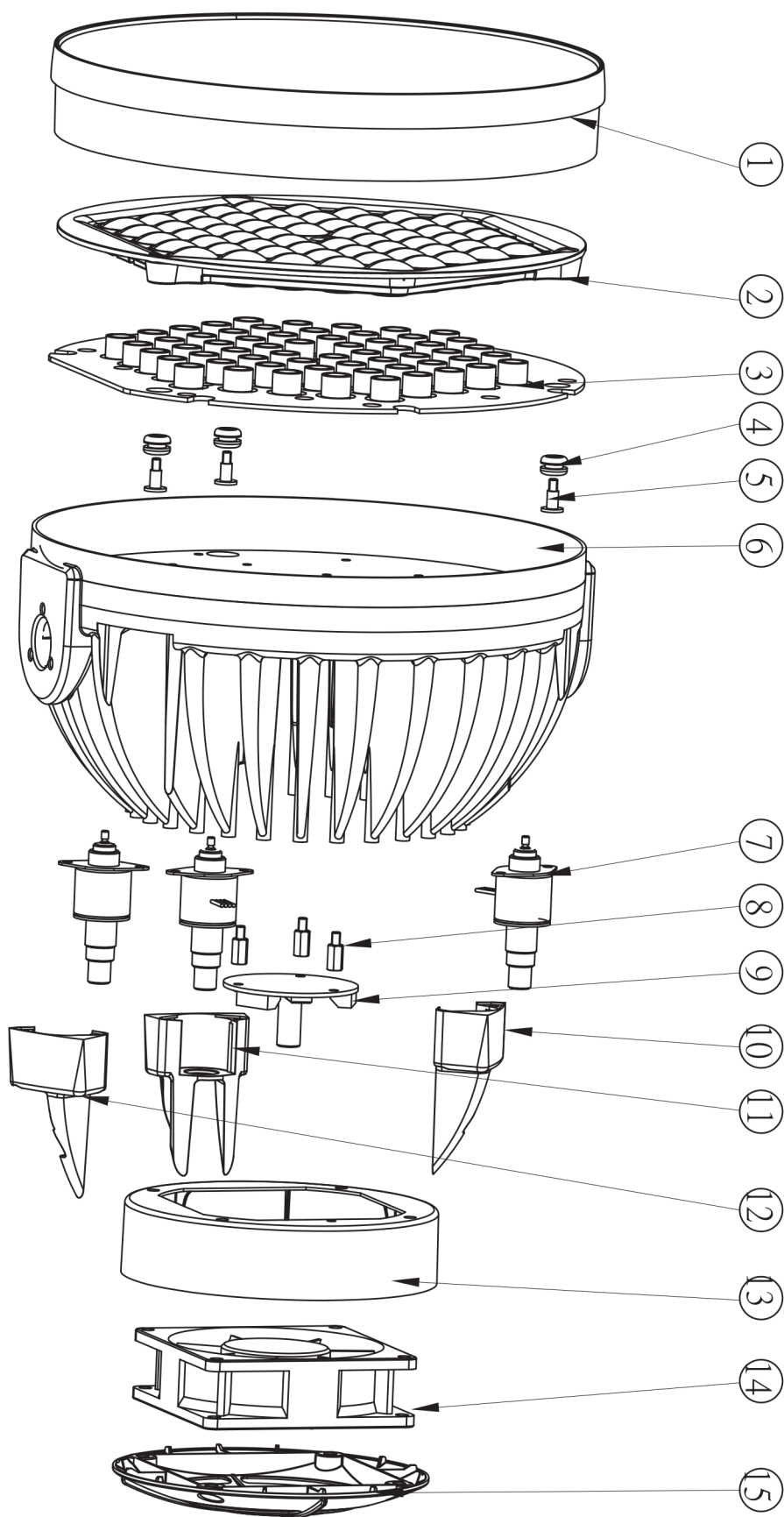
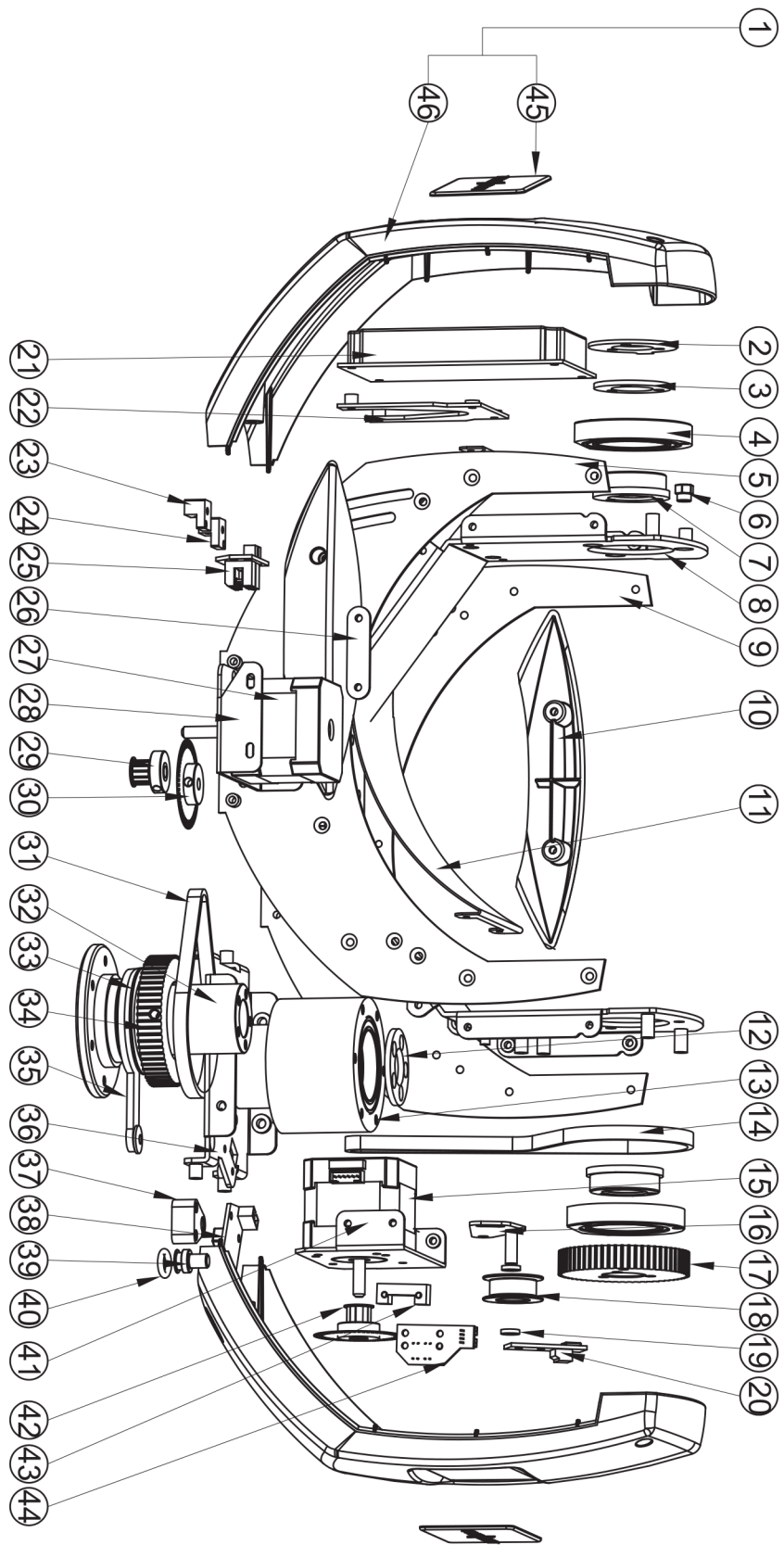


# Head Exploded View



Head Exploded View Parts List

<b>Item</b>	<b>Part Number</b>	<b>Description</b>	<b>Qty</b>
1	25-024-0612-00	Aperture	1
2	28-002-0909-00	Lens Assembly	1
3	28-002-0924-00	LED PCB Assembly	1
4	25-017-0320-00	Rubber Ring, Black	3
5	25-005-0157-00	Nut for Stepping Motor	3
6	25-022-1868-00	Die-cast Head	1
7	08-001-0091-00	Stepping Motor	3
8	25-005-0158-00	Hexagon Copper Spacer	3
9	27-001-2124-00	KIT GLP impression Zoomdriver PCB	1
10	25-022-1871-00	Stepping Motor Cover 2	1
11	25-022-1870-00	Stepping Motor Cover 1	1
12	25-022-1872-00	Stepping Motor Cover 3	1
13	25-024-0572-00	Fan-case	1
14	08-002-0029-00	FAN	1
15	25-024-0573-00	Fan-cover	1



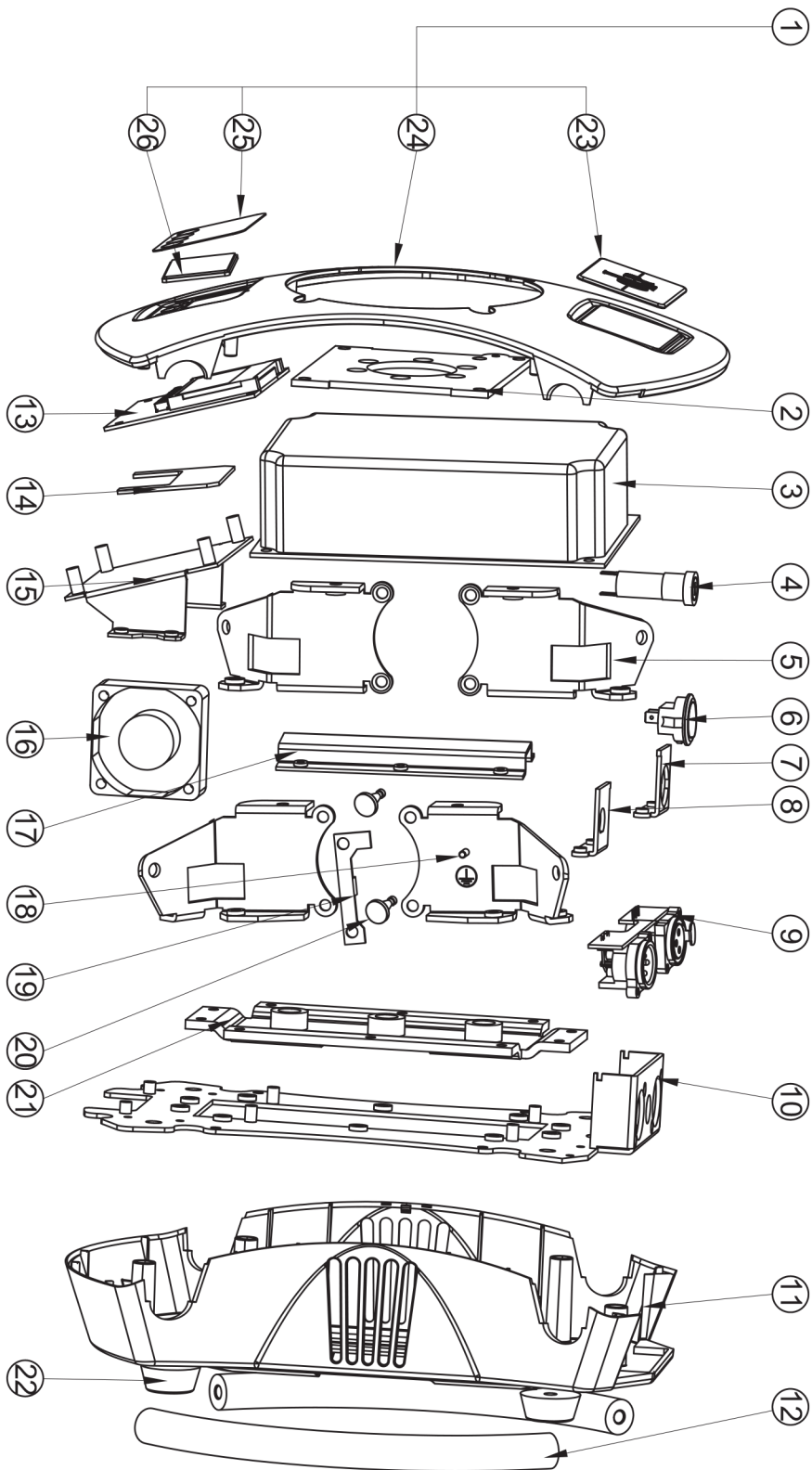
Arm Exploded View Parts List

<b>Item</b>	<b>Part Number</b>	<b>Description</b>	<b>Qty</b>
1	28-002-0822-00	Armcover Plastic (incl. VL Logo)	2
2	25-022-1773-00	Stopper Blade Tilt	1
3	25-022-1427-00	Bearing Spacer Tilt	1
4	28-002-0801-00	Bearing Block Tilt (asm)	2
5	23-001-4560-00	Armcover Front	1
6	22-007-0011-00	Stopper Nut Tilt	1
7	25-022-0918-00	Shaft Tilt	2
8	23-001-4562-00	Arm Mainframe	1
9	23-001-4561-00	Armcover Back	1
10	25-024-0566-00	Armcover Plastic Bottom	2
11	23-001-4567-00	Armcover Round	1
12	25-022-1632-00	Lockring Pan	1
13	28-002-0494-00	Bearing Block Pan (asm)	1
14	25-024-0284-00	Belt Tilt	1
15	08-001-0025-00	Steppingmotor Tilt	1
16	25-022-1767-00	Belttension Holder	1
17	25-022-1286-00	Gearwheel Tilt	1
18	28-002-0816-00	Belttension Bearing (asm)	1
19	25-022-1820-00	Special Washer	2
20	27-001-2051-00	Hall PCB Tilt Kit	1
21	27-001-1926-02	Motor Driver PCB Kit	1
22	25-022-1774-00	PCB Holder	1
23	25-022-1558-00	Encoder Holder Pan 1	1
24	25-022-1631-00	Encoder Holder Pan 2	1
25	27-001-2050-00	Feedback PCB Pan Kit	1
26	25-022-1772-00	Motorholder Plate	2
27	08-001-0090-00	Steppingmotor Pan	1
28	23-001-4566-00	Motorholder Pan	1
29	28-002-0487-00	Driving Gear Pan	1
30	28-002-0489-00	Encoder Wheel Pan	1
31	25-024-0285-00	Belt Pan	1
32	25-022-1799-00	Shaft Pan	1
33	25-024-0255-00	Bearing Ring	1
34	25-022-1635-00	Gearwheel Pan	1
35	28-002-0800-00	Lolly (asm. Incl. Magnet, etc.)	1
36	23-001-4570-00	Shaft Adaptor Arm	1
37	25-022-1224-00	Stopper Pan	1

Arm Exploded View Parts List

<b>Item</b>	<b>Part Number</b>	<b>Description</b>	<b>Qty</b>
38	27-001-2052-00	Hall PCB Pan Kit	1
39	22-001-0442-00	Stopper Nut Pan	1
40	25-017-0089-00	Rubber Ring (for Stopper Nut Pan)	1
41	23-001-4565-00	Motorholder Tilt	1
42	28-002-0488-00	Driving Gear Tilt (asm)	1
43	25-022-1826-00	Encoder Holder Tilt	1
44	27-001-2062-00	Feedback PCB Tilt Kit	1
45	25-024-0567-00	Armcover Plastic	2
46	24-005-1392-00	Volks   Licht Logo	2

# Base Exploded View



Base Exploded View Parts List

<b>Item</b>	<b>Part Number</b>	<b>Description</b>	<b>Qty</b>
1	28-002-0821-00	Top Basecover Plastic Kit (complete)	1
2	23-001-4572-00	Shaft Adaptor Base	1
3	10-011-0097-00	PSU	1
4	20-002-0022-00	Fuseholder	1
5	23-001-4687-00	Base Mainframe Side 1	2
6	11-001-0070-00	Main Switch	1
7	25-022-1769-00	Main Switch bracket	1
8	25-022-1768-00	Fuseholder bracket	1
9	27-001-2043-00	DMX PCB Kit	1
10	23-001-4559-00	Base Mainframe Bottom	1
11	25-024-0570-00	Bottom Basecover Plastic	1
12	25-022-1225-00	Handle	2
13	27-001-1924-00	Main PCB	1
14	27-001-2057-00	DCDC 9V Converter PCB Kit	1
15	25-022-1775-00	Display Holder	1
16	08-002-0081-00	Base Fan	1
17	25-022-1776-00	Clamp Cover	1
18	23-001-4688-00	Base Mainframe Side 2	2
19	27-001-2063-00	Temperature PCB Kit	1
20	25-006-0066-00	Rubber Rivet	2
21	23-001-4571-00	Clamp Holder	1
22	25-014-0023-00	Rubber Foot	4
23	24-005-1393-00	GLP Logo	1
24	28-002-0490-00	Top Basecover Plastic	1
25	24-005-1385-00	Display Film	1
26	25-008-0501-00	Display Window	1
Not shown	25-020-0592-00	Isolation Sheet between PSU and Base Mainframe	1